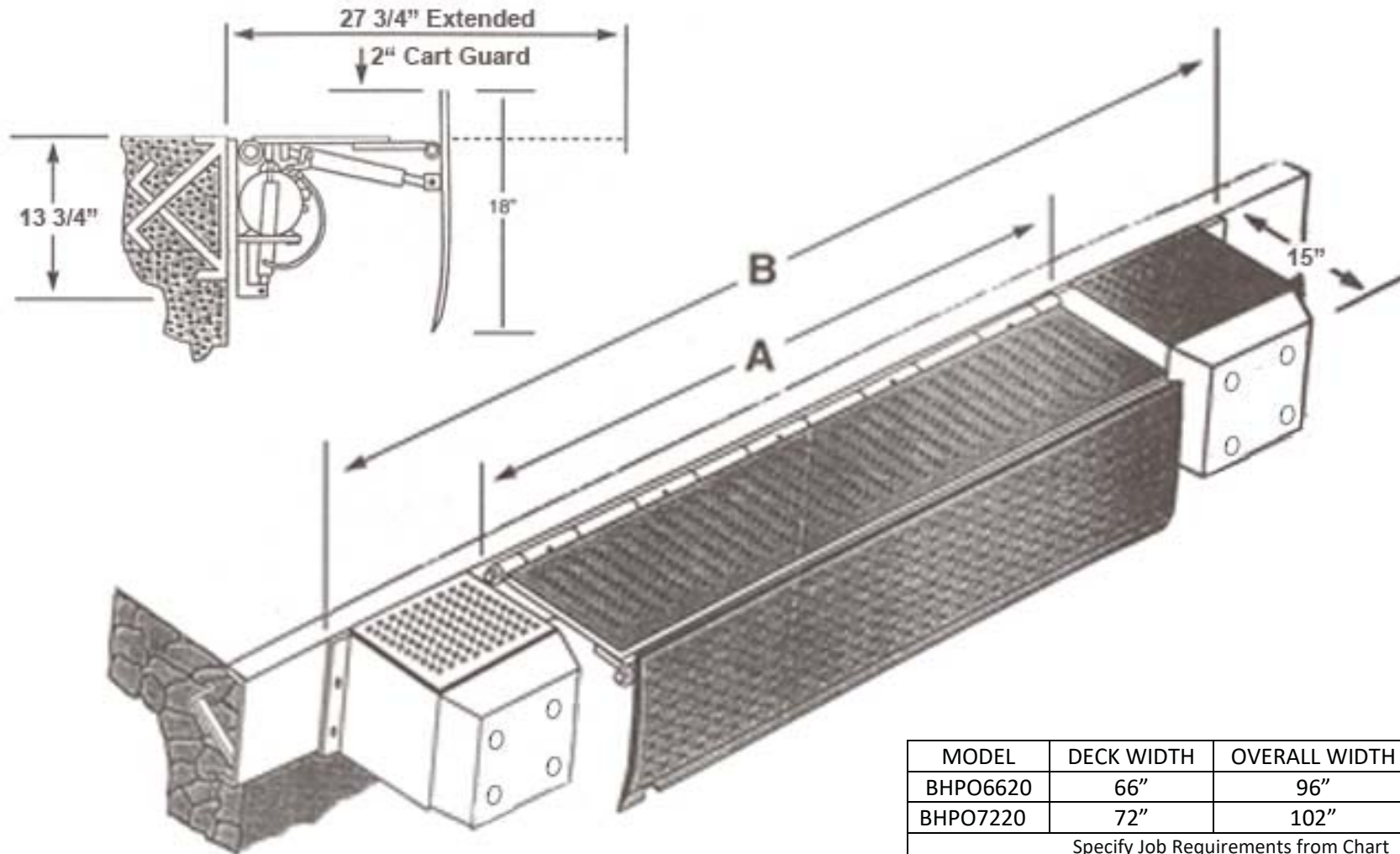


Hydraulic Post Office Edge of Dock BHPO SUBMITTAL DRAWING



MODEL	DECK WIDTH	OVERALL WIDTH	CAPACITY
BHPO6620	66"	96"	20,000 Lbs
BHPO7220	72"	102"	20,000 IBS
Specify Job Requirements from Chart			

Approval

This includes my approval of design & dimensions.

Signed: _____

Date: _____

BEACON[®]
BEACON INDUSTRIES, INC.

12300 Old Tesson Rd.

St. Louis, MO 63128-2247 USA

OFFICE: 314-487-7600 FAX: 314-487-0100

Customer:

Quote:

Project: